

NEXO

I N N O V A T E

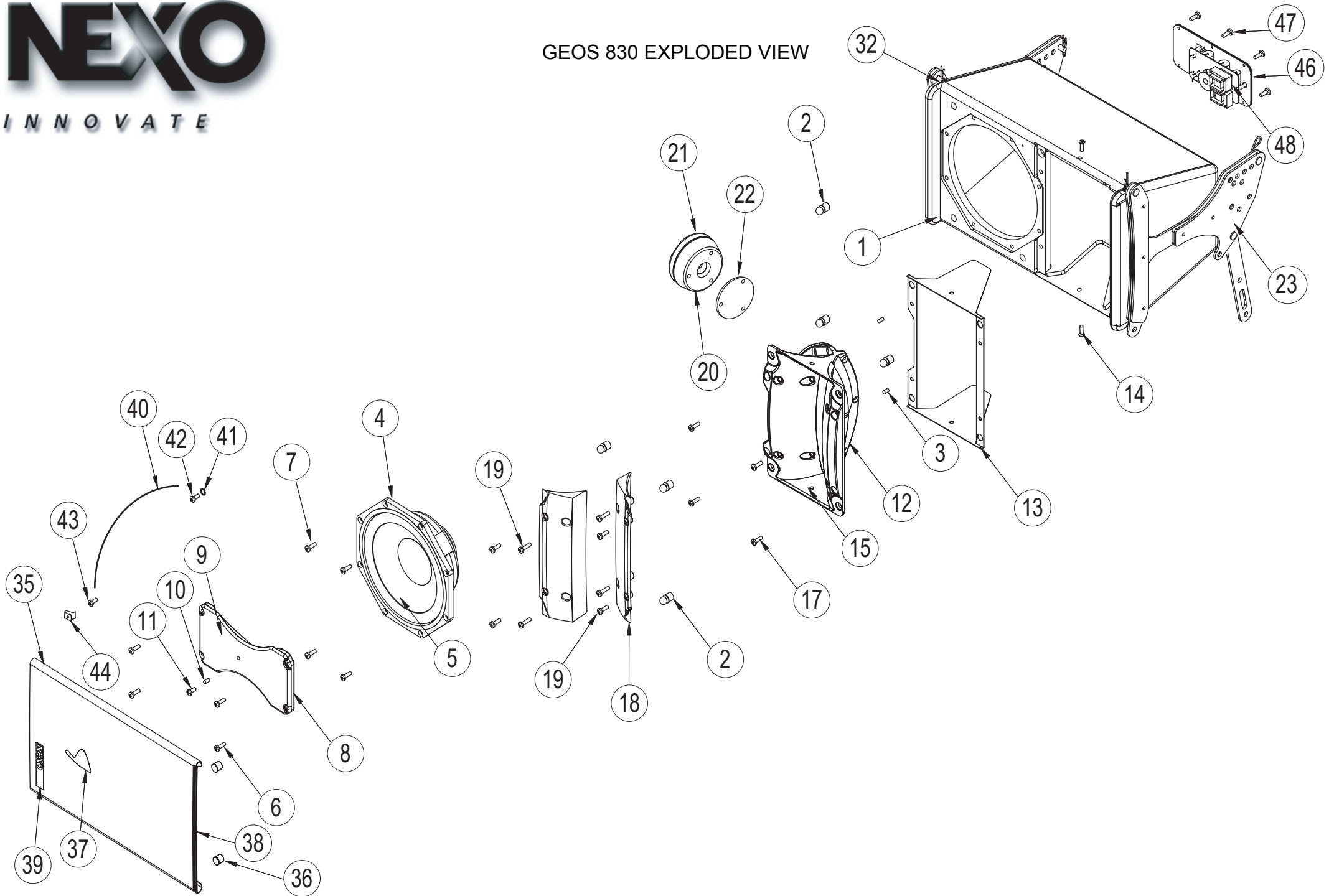
Geo
S830
SPARE PARTS

NEXO-SA
AFTER SALE DEPARTMENT
154 allée des Erables
ZAC Paris Nord II
B.P.50107
95950 ROISSY Cedex
FRANCE
Email : gilbert.laporte@nexo.fr

NEXO

INNOVATE

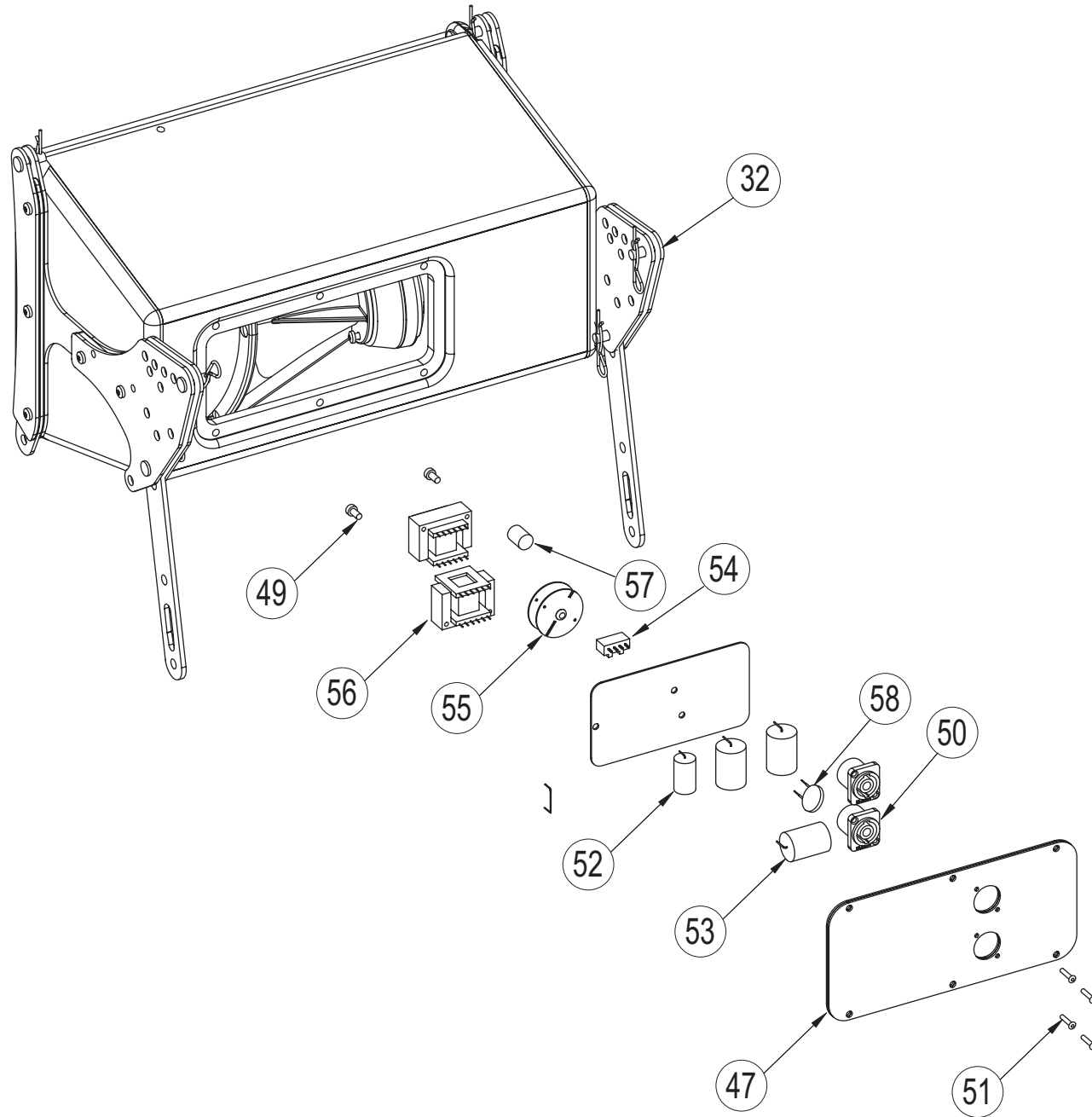
GEOS 830 EXPLODED VIEW



NEXO

INNOVATE

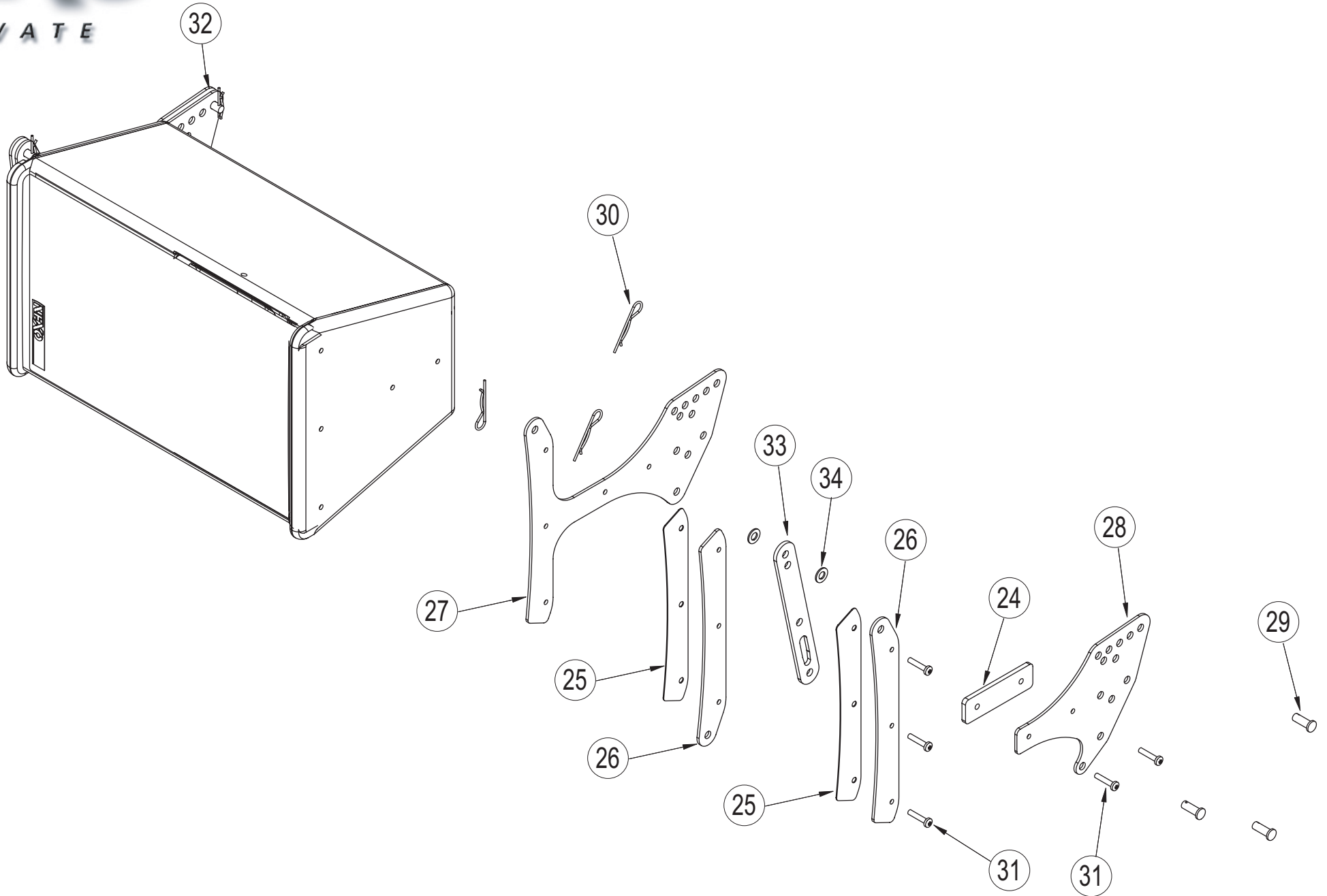
GEOS 830 REAR VIEW



NEXO

INNOVATE

GEOS 830 RIGGING VIEW



MARK	QUANTITY	ASSEMBLY	SUB ASSEMBLY	PART REFERENCE	DESIGNATION
GEOS830					
1	1	\$EBGEO-S830		\$EBGEO-S830	CABINET GEO S 830 + ACCESSORIES
2	6			\$FIXGRILM	MALE FIXING FOR GRID PS8
3	2			\$INSERTM5D	LONG INSERT FOR GEO HORN M5D
4	1		\$HPB8ND-HF	\$HPB8ND-HF	HP BASS 8" NEODYNIUM (16 OHM) HIGH FLUX
5	1			\$N8HF-16R/K	RECONE KIT 8" NEDODYNIUM (16 OHM)
6	4			\$VXTCBX535N	SCREW TORX BUTTOM HEAD 5X35 STAINLESS STEEL BLACK
7	4			\$VXTCBX525N	SCREW TORX BUTTOM HEAD 5X25 STAINLESS STEEL BLACK
8	1		\$PMPBGEO	\$PMPBGEO	PMP FOR GEO-S
9	1			\$JNEOPMPGEO	JOINT PMP GEO
10	1			\$INSERTM4D	INSERT M4 PMP GEO
11	1			\$VXCHB416N	SCREW TORX BUTTOM HEAD 4X16 INOX
12	1	\$PAV830		\$PAV830	HORN GEO 830
13	1			\$JNEOHM-GEO8	JOINT HORN HM FOR GEO 830 &830
14	2			\$VXTCFX512N	SCREW TORX FLAT HEAD 5 X 12 INOX BLACK
15	2			\$AMPAVGEO	FIXING HORN GEO S
16	8			\$VXTCBX512N	SCREW TORX BUTTOM HEAD 5X12 STAINLESS STEEL BLACK
17	4			\$VXTCBX525N	SCREW TORX BUTTOM HEAD 5X25 STAINLESS STEEL BLACK
18	2		\$FLANGE-S5	\$FLANGE-S5	FLANGE GEO S830
19	8			\$VXTCBX525N	SCREW TORX BUTTOM HEAD 5X25 STAINLESS STEEL BLACK
20	1		\$HPADE12ND	\$HPADE12ND	DRIVER DE 12 FOR PS8
21	1			\$NH12ND1.0R/K	DIAPHRAGM FOR DRIVER DE12
22	1			\$PS8JPPI	JOINT PPI DIA 70 3 HOLES
23	1	\$AMACC-GEO		\$AMACC-GEO	RIGGING SYSTEM LEFT & RIGHT COMPLETE FOR GEO S
24	2			\$CALARS8	REAR FIT STRIP RIGGING GEOS8
25	4			\$CALAVS8	FRONT FIT STRIP RIGGING GEOS8
26	4			\$AMACCPATAV	FRONT PLATE RIGGING GEOS8
27	2			\$AMACCPLAQE	METALLIC PLATE SIDE CABINET GEOS8
28	1			\$AMACCPLAQR-D	RIGHT PLATE GEOS8 WITH ARTWORK
29	6			\$VAX819	AXIS DIAM 8 X 19
30	6			\$VGOU2	PIN DIAM 2
31	10			\$VXTCBX525N	SCREW TORX BUTTOM HEAD 5X25 STAINLESS STEEL BLACK
32	1			\$AMACCPLAQR-G	LEFT PLATE GEOS8 WITH ARTWORK

33	2		\$AMACCPATAR	\$AMACCPATAR	REAR LINK ROD RIGGING GEOS8
34	4			\$VRN6.6-8	WASHER NYLON DIAM 6.6
35	1	\$GEO-S8A		\$GEO-S8A	COMPLETE GRID FOR GEOS8
36	6			\$FIXGRILF	PLASTIC PIECE FOR GRID PS8 FASTENING
37	1			\$LOGGEO	LOGO GEO
38	0.5			\$PROFILPVC-1	PROFILE PVC BLACK GORGE 1mm POUR GRID PS8
39	1			\$LOGNEXANX	LOGO NEXO CONTROLLOR DIGITAL & PS8
40	1			\$DRISSAC	STEEL SLING INOX
41	1			\$VRA512N	WAHSER 5 X 12 INOX BLACK
42	1			\$VXTCC4.514N	SCREW VBA TCC INOX BLACK 4.5 X 14
43	1			\$VATCF3X6ZN	SCREW TCF BLACK M 3X6
44	1			\$VECRD3AGR	QUICK NUT diam. 3
45	1	\$GEO-S8FPC		\$GEO-S8FPC	COMPLETE PASSIVE FILTER FOR GEO S8
46	6			\$VXTCBX525N	SCREW TORX BUTTOM HEAD 5X25 STAINLESS STEEL BLACK
47	1			\$PS.8FPA	CNX + JOINT
48	1		\$GEO-S8FPB	\$GEO-S8FPB	BOARD PASSIVE FILTER GEO S8 EQUIPED
49	2			\$VXTCBX512N	SCREW TORX BUTTOM HEAD 5X12 STAINLESS STEEL BLACK
50	2			\$CNXNL4MDV	SPEAKON NL4 MDV
51	4			\$VRIV3.216N	RIVET ALUMINIUM BLACK 3.12 X 16
52	1			\$FCNP2.7	CONDENSATOR 2.7 µF MKP PB 400 Vdc 5%
53	3			\$FCNP8	CONDENSATOR 8 µF MKP PB 400 Vdc 5%
54	1			\$CNX721-164/001	MALE CONNECTOR WAGO 721-164/001-000
55	1			\$FS0.68MH0.58R	COIL RAH 0.68mH 0.58 5%
56	2			\$FSI2MH0.3R	COIL 4817 2.0mH 0.3 Ohm 3%
57	1			\$FSF1.6MH0.9R	COIL RM8 1.6 Mh 0.9 Ohm 3%
58	1			\$PLSW160RXE	POLYSWITCH RXE 160