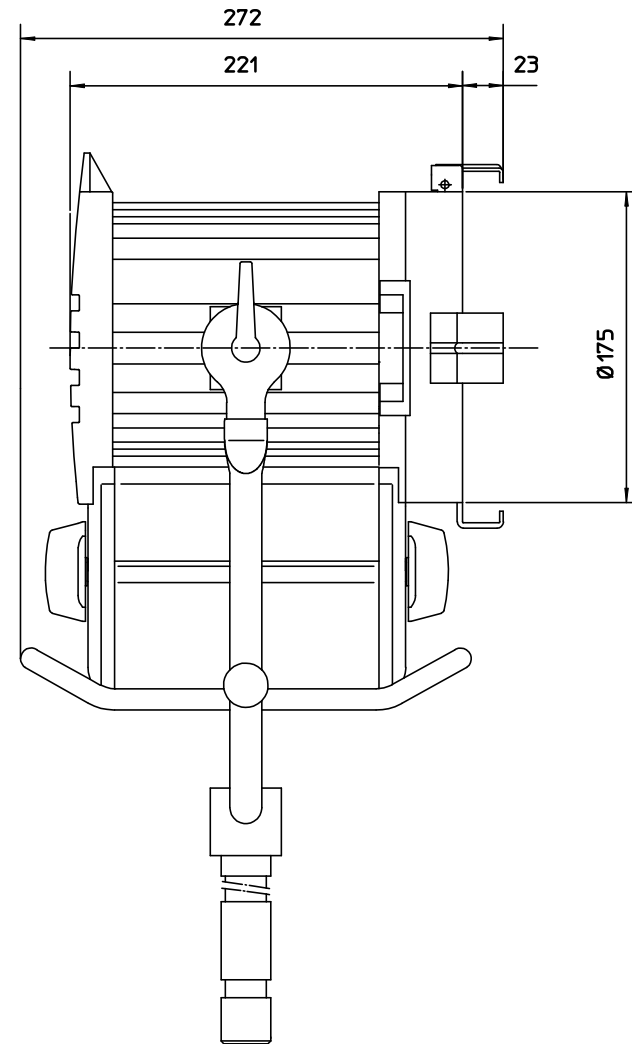
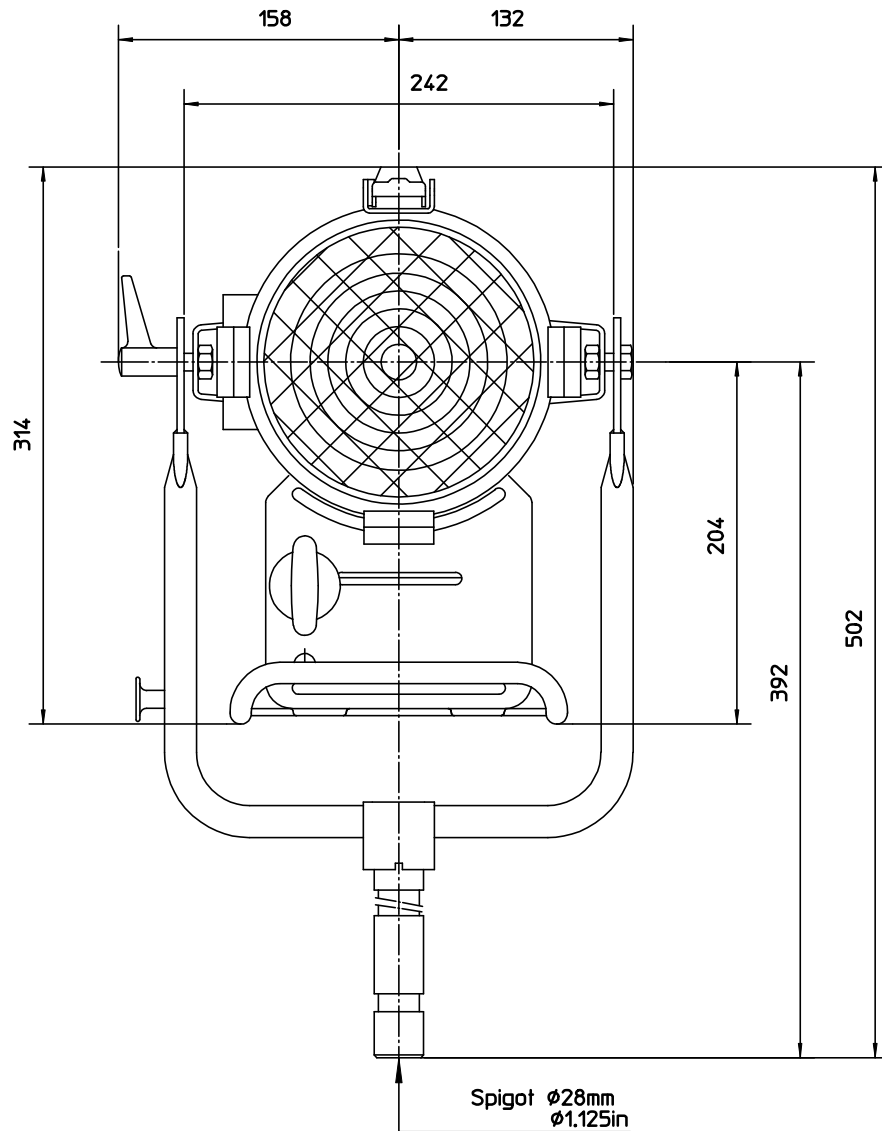


Schutzvermerk nach DIN34 beachten



Scheinwerfertyp type of lamphead	Compact 575W	Linsen lenses	ø 130 mm ø 5 in	Packmass packed size	475x380x320 mm 18.70x14.96x12.60 in	Gewicht net weight	7.25 kg 15.98 lbs
Leuchtmittel lamp	HMI 575W/SE	Zubehoer accessories	ø 197 mm ø 7.75 in	Packvolumen packed volume	57.76 l 2.040 ft3	Dateiname file name	c575_mb_01
Lampensockel lamp base	G22	Fluegeltor barndoor	ø 197 mm ø 7.75 in	Packgewicht packed weight	9.7 kg 21.38 lbs	Version / Stand version / as at...	1.0/01.07.02

ARRI

Arnold & Richter Cine Technik
Pulvermuehle
D-83071 Stephanskirchen