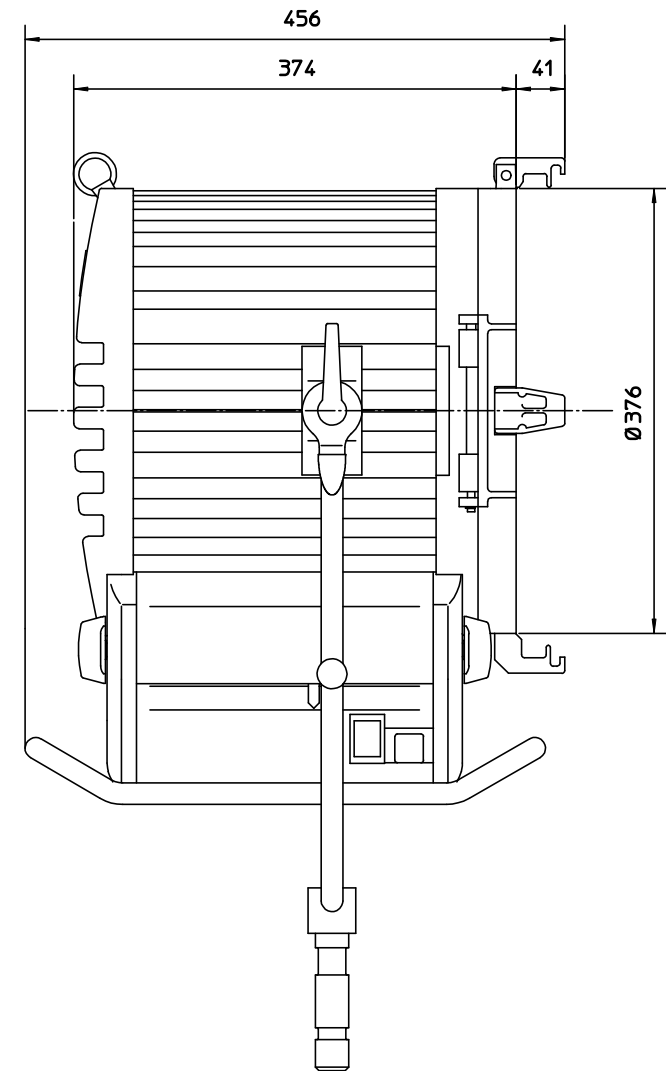
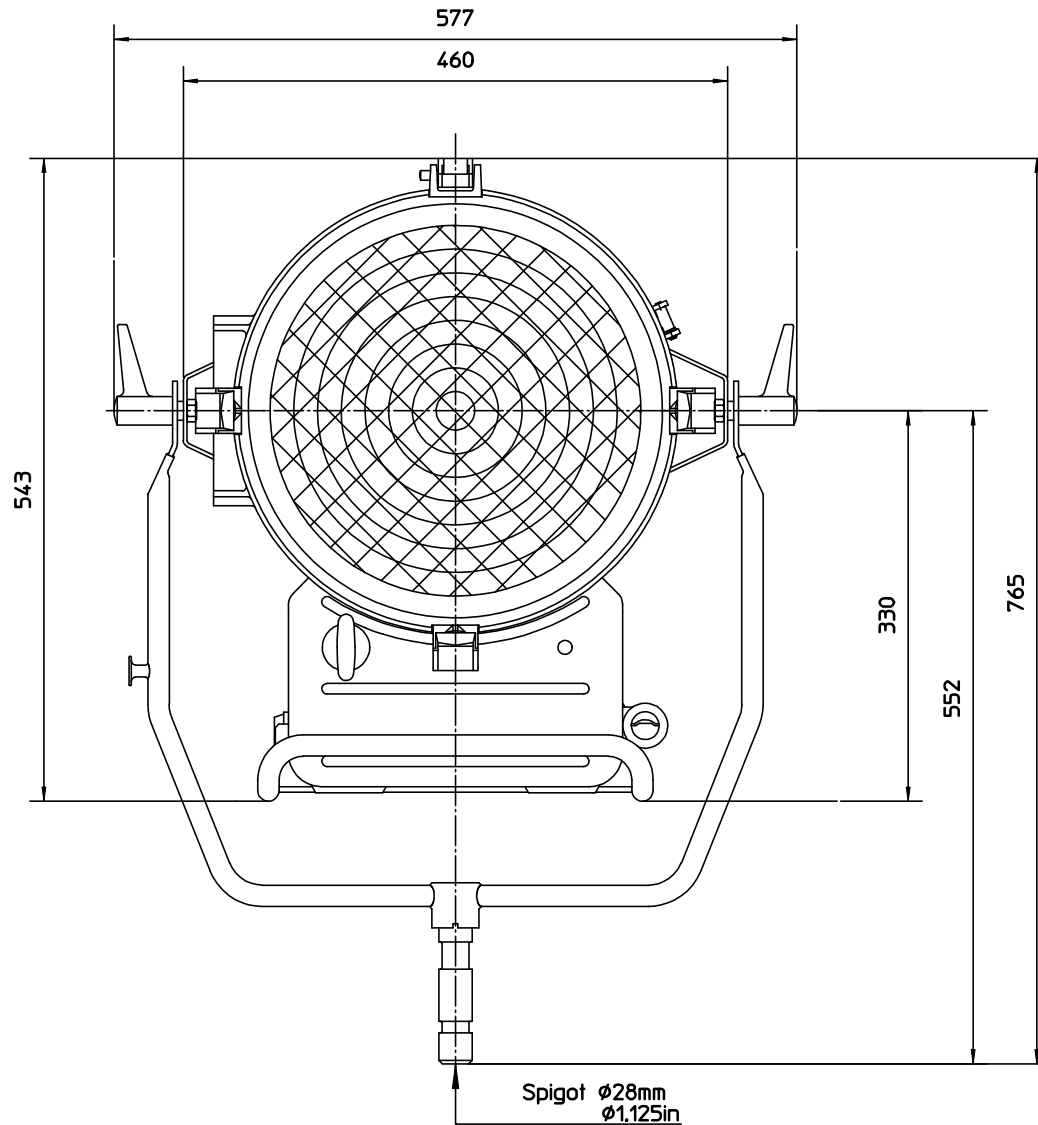



Schutzvermerk nach DIN34 beachten



Scheinwerfertyp type of lamphead	Compact 4000W	Linsen lenses	Ø 300 mm Ø 12 in	Packmass packed size	670x610x620 mm 26.38x24.02x24.41 in	Gewicht net weight	21.6 kg 47.62 lbs	 Arnold & Richter Cine Technik Pulvermuehle D-83071 Stephanskirchen
Leuchtmittel lamp	HMI 4000W/SE	Zubehoer accessories	Ø 400 mm Ø 15.75 in	Packvolumen packed volume	253.39 l 8.949 ft3	Dateiname file name	c4000_mb_01	
Lampensockel lamp base	G38	Fluegeltor barndoor	Ø 413 mm Ø 16.25 in	Packgewicht packed weight	25 kg 55.11 lbs	Version / Stand version / as at...	1.0/01.07.02	