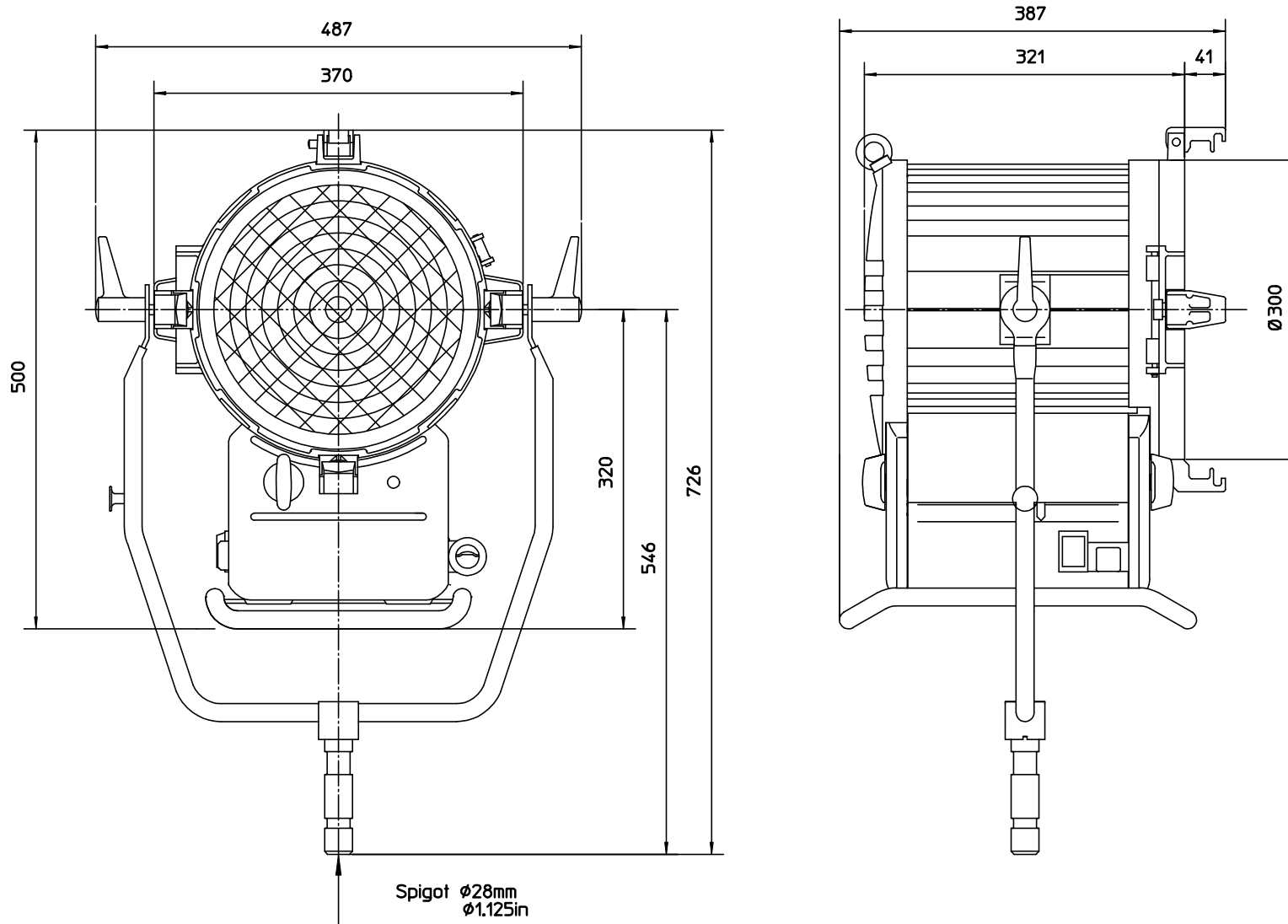



Schutzvermerk nach DIN34 beachten



Scheinwerfertyp type of lamphead	Compact 2500W	Linsen lenses	ø 250 mm ø 10 in	Packmass packed size	530x530x620 mm 20.87x20.87x24.41 in	Gewicht net weight	16.8 kg 37.04 lbs	 Arnold & Richter Cine Technik Pulvermuehle D-83071 Stephanskirchen
Leuchtmittel lamp	HMI 2500W/SE	Zubehoer accessories	ø 330 mm ø 13 in	Packvolumen packed volume	174.16 l 6.150 ft3	Dateiname file name	c2500_mb_01	
Lampensockel lamp base	G38	Fluegeltor barndoor	ø 344 mm ø 13.5 in	Packgewicht packed weight	19.5 kg 42.99 lbs	Version / Stand version / as at...	1.0/01.07.02	